

**FIG. S-331TD**
**1000 WOG FULL PORT THREADED ENDS ISO 5211 SQUARE STEM  
DIRECT ACTUATOR MOUNTING PAD W/ LOCKING LEVER HANDLER**

**Features:**

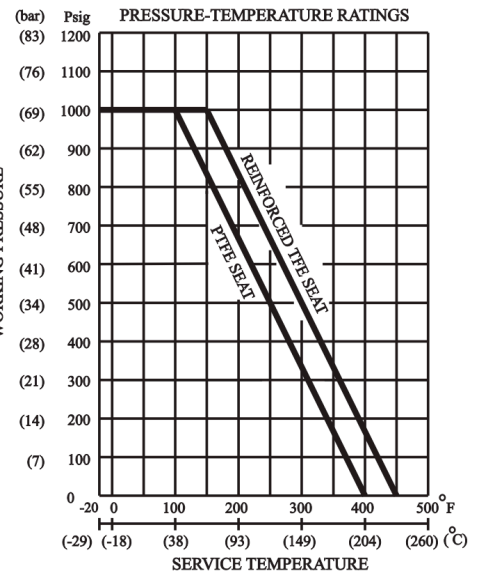
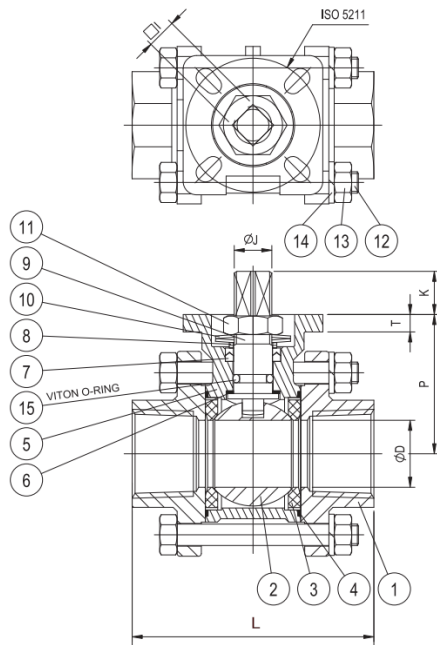
- Actuator can be installed directly on the mounting pad without using bracket & coupling.
- Live-loaded packing gland design for self-adjustment of packing compression.
- Chevron V type packing to further ensure no leakage.
- Pressure equalizing seats.
- Bottom-loaded blow-out proof stem
- Low operating torque to reduce automation costs.
- Basic design complied with ANSI B16.34 & EN 12516-1.
- NPT threaded ends complied with ANSI B 1.20.1.
- Rc, Rp & G Threaded ends complied with BS 21/2779, JIS B-0203/0202, DIN 259/2999, ISO 228-1, AS1722.1/1722.2 are upon request.
- Tested according to API 598.

**Materials List:**

No.	Part Name	Specification
1	End Cap	ASTM A351-CF8M/316
2	Ball	ASTM A351-CF8M/316
3	Seat	PTFE
4	Gasket	PTFE
5	Body	ASTM A351-CF8M/316
6	Thrust Washer	PTFE
7	Stem Packing	PTFE
8	Gland	AISI 304
9	Stem	ASTM A276-316
10	Belleville Washer	AISI 301
11	Packing Nut	AISI 304
12	Bolt	AISI 304/Gr. B8
13	Bolt Nut	AISI 304/Gr. 8
14	Bolt Washer	AISI 304
15	O-ring	Viton

**OPTIONS:**

- L: EQUIPPED WITH LOCKABLE LEVER HANDLE
- V: VENTED BALL
- H: EQUIPPED WITH LEVER HANDLE (W/O LOCKING DEVICE)
- A: ANTI-STATIC DEVICE
- P: EQUIPPED WITH PNEUMATIC ACTUATOR


**DIMENSIONS:**

Size		Ø D		I		Ø J		K		L		P		T		Weight		ISO 5211
in	mm	in	Mm	in	mm	in	mm	in	mm	in	mm	in	mm	in	mm	lbs	kgs	
¼	8	0.41	10.50	0.35	9	0.47	12	0.35	9	2.76	70	1.65	42.00	0.16	4.00	0.84	0.38	F03-F04
⅜	10	0.49	12.50	0.35	9	0.47	12	0.35	9	2.76	70	1.65	42.00	0.16	4.00	0.85	0.39	F03-F04
½	15	0.59	15.00	0.35	9	0.47	12	0.35	9	2.76	70	1.65	42.00	0.16	4.00	1.43	0.65	F03-F04
¾	20	0.79	20.00	0.35	9	0.47	12	0.35	9	3.15	80	1.77	45.00	0.16	4.00	1.85	0.84	F03-F04
1	25	0.98	25.00	0.43	11	0.55	14	0.55	14	3.54	90	2.05	52.00	0.26	6.50	2.91	1.32	F04-F05
1 ¼	32	1.26	32.00	0.43	11	0.55	14	0.55	14	4.13	105	2.30	58.50	0.26	6.50	3.92	1.78	F04-F05
1 ½	40	1.50	38.00	0.55	14	0.75	19	0.71	18	4.72	120	2.68	68.00	0.28	7.00	5.42	2.46	F05-F07
2	50	1.97	50.00	0.55	14	0.75	19	0.71	18	5.51	140	3.13	79.50	0.30	7.50	8.16	3.70	F05-F07
2 ½	65	2.56	65.00	0.67	17	0.94	24	0.87	22	6.61	168	4.13	105.00	0.41	10.50	18.79	8.52	F07-F10
3	80	3.15	80.00	0.67	17	0.94	24	0.87	22	7.60	193	4.57	116.00	0.41	10.50	28.62	12.98	F07-F10
4	100	3.94	100.00	0.87	22	1.10	28	1.14	29	9.09	231	5.35	136.00	0.41	10.50	44.82	20.33	F10-F12